



EF4500iSE Remote control kit

INSTALLATION AND OPERATION MANUAL

Congratulations on your purchase of your new Yamaha.

This manual will provide you with a good basic understanding of the operation and installation of this product.

If you have any questions regarding the installation or operation of your machine, please consult a Yamaha dealer.

Particularly important information is distinguished in this manual by the following notations.



The Safety Alert Symbol means ATTENTION! BECOME ALERT! YOUR SAFETY IS INVOLVED!

WARNING

Failure to follow WARNING instructions could result in severe injury or death to the engine operator, a bystander or a person inspecting or repairing the engine.

CAUTION:

A CAUTION indicates special precautions that must be taken to avoid damage to the engine.

NOTE: A NOTE provides key information to make procedures easier or clearer.

WARNING

- This kit can be used for wireless remote control of Yamaha's EF4500iSE Generator only. Do not use this product for any other purposes.
- Before using the remote control kit, carefully read and understand this manual, the generator's owner's manual and warning labels attached to the generator. Also, become familiar with the generator operations, safety information and important information.
- Keep this manual together with the generator's owner's manual, and use them if you have any questions or problems during operation. If you resell or transfer your generator to another person, remember to attach this manual to it.

CAUTION:

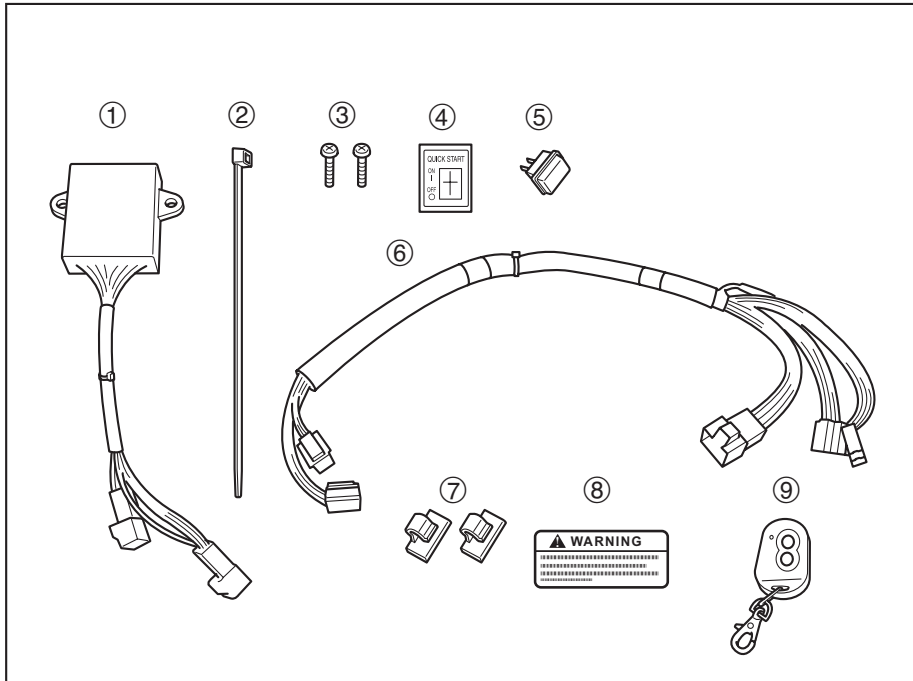
Do not use this product in other countries, as doing so may be illegal.

NOTE:

- The remote control can be used approximately 20 meters away from the generator if there are no obstacles between them.
- This communication distance depends on the ambient environment and the situation in which you use the remote control. The communication distance becomes shorter if there are any obstacles between you and the generator. Also, if you use the remote control near the radio transmitter facility, the radio communication distance may be reduced greatly or the communication itself may fail.
- If the remote control has a delay in responding or it does not respond at all, the service life of the cells of remote control may have expired, or the generator battery may have discharged. Replace dry cell batteries of the remote control, or recharge the generator battery.

INSTALLING

Parts of remote control kit



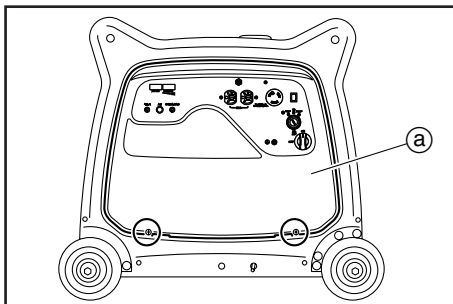
- Receiver unit ①×1
- Band ②×1
- Screw ③×2
- Switch label ④×1
- Remote control switch ⑤×1
- Wire harness ⑥×1
- Clamp ⑦×2
- Warning label ⑧×1
- Remote control transmitter ⑨
(with dry cell batteries)×1

Installing procedure

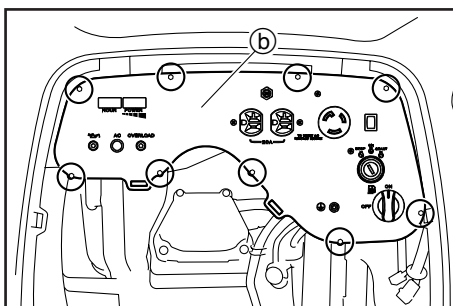
▲WARNING

Do not touch parts inside the generator when it is operating or after it has stopped. Otherwise an electric shock or burns may occur.

Before installing the kit, turn off the engine and wait until the engine and internal parts of the generator have cooled down.



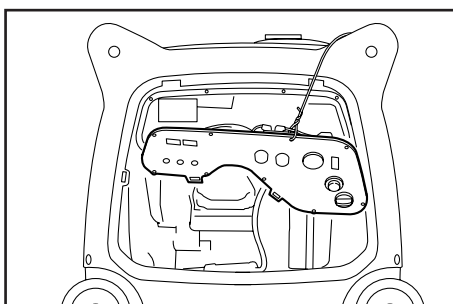
1. Remove two screws and remove the front panel (a).

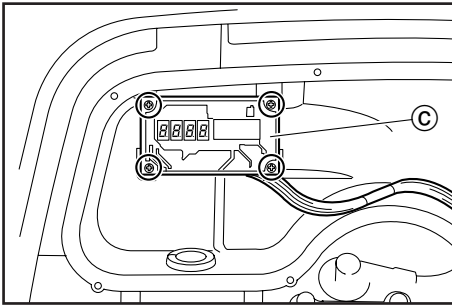


2. Remove nine screws and pull out the control panel (b).

CAUTION:

During removing the control panel, take care not to hang it by its wire leads. It may damage the wire leads and cause damage to the generator. After the screws have been removed from the control panel, pass a wire through a screw hole of the control panel and tie it to the handle. The control panel should be held by the wire.

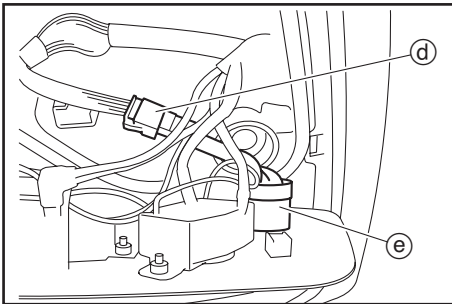




3. Remove four screws and remove the meter unit (C).

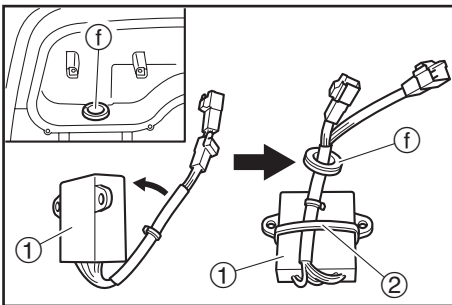
CAUTION: _____

To avoid parts becoming damaged by static electricity, discharge the electricity from your body by touching the engine or other metal surface before servicing the meter unit.



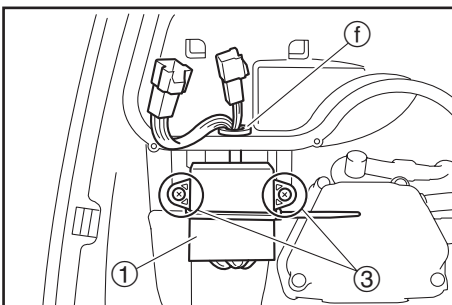
4. Disconnect the engine switch coupler (d).

e engine switch



5. Return the harness of receiver unit (1), and secure the harness using band (2).

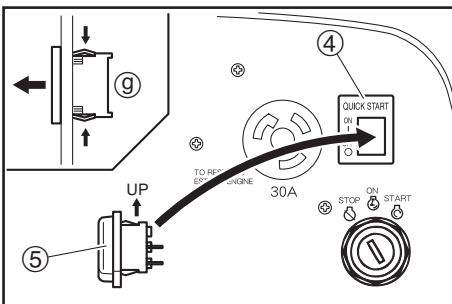
6. Remove grommet (f) temporarily, and pass the receiver unit harness through the grommet.



7. After passing the harness through the hole where the grommet (f) has been installed, install the receiver unit (1) by screws (3). Install the grommet (f) in its original position.

CAUTION: _____

Make sure that grommet (f) is secured to its original position.

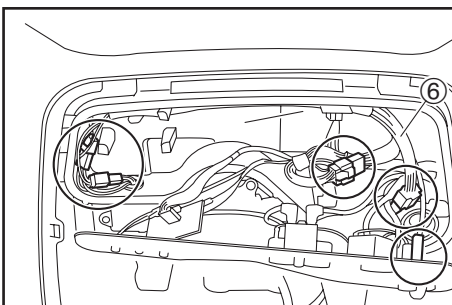


8. Remove cap (9) from the control panel, and attach switch label (4) to the panel.

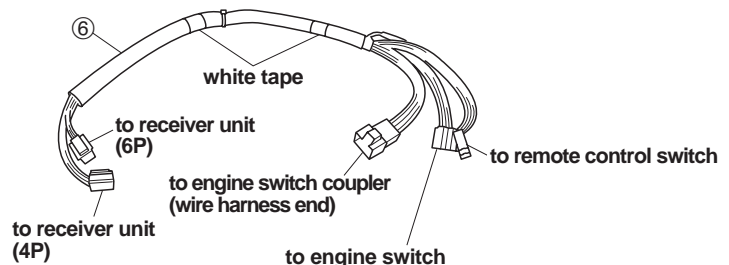
NOTE: _____

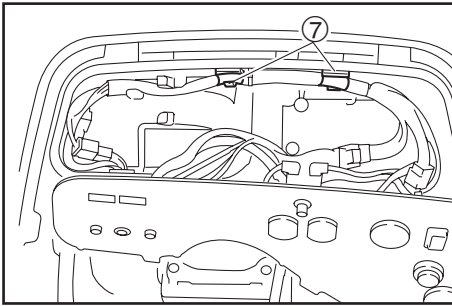
Remove cap (9) by pressing its top and bottom hooks and by pulling the cap outward.

9. Install remote control switch (5) by facing its terminal downward.



10. Connect the coupler of wire harness (6) to the coupler of receiver unit (2 couplers), engine switch (2 couplers), and remote control switch (1 coupler).





11. Mount clamps ⑦ in the white marker tape positions of wire harness ⑥, and secure them in the control box as shown.

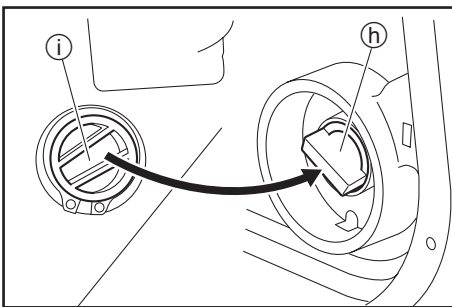
CAUTION: _____

Do not mount clamps ⑦ in any position other than the white marker tape positions of wire harness ⑥. If doing so, the wire harness may be damaged when the control panel is installed again.

12. Check the operation of remote control. (See "How to use the remote control" page 4.)

NOTE: _____

If the remote control does not operate normally, check the connectors for poor or incorrect connection.



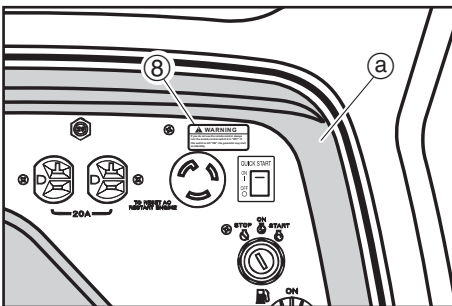
13. Reassemble the meter unit, control panel, and front panel correctly.

CAUTION: _____

Take care not to clinch wire leads and wire harness. If so, the wire leads or wire harness may be damaged and it may cause the generator to fail.

NOTE: _____

Make sure that projection ④ of the fuel cock can engage with slot ① of the fuel cock knob, and install the control panel.



14. Attach warning label ⑧ to the position as shown.

WARNING _____

Do not remove the warning label. Also, keep the label clean.

NOTE: _____

- When attaching warning label ⑧, wipe, clean and degrease the surface to be pasted.
- Attach label ⑧ to the suitable position where it is not hidden by front panel ①.

HOW TO USE THE REMOTE CONTROL

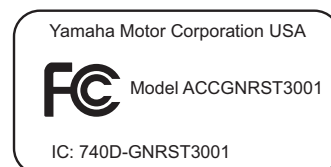
INSTRUCTION TO THE USER

This device complies with Part 15 of the FCC Rules

Operation of this device is subject to the following two conditions:

- (1) This device may not cause harmful interference, and
- (2) this device must accept any interference received including interference that may cause undesired operation.

This equipment has been tested and found to comply with the limits for a Class B digital device, pursuant to Part 15 of the FCC Rules. These limits are designed to provide reasonable protection against harmful



interference in a residential installation. This equipment generates, uses and can radiate radio frequency energy and, if not installed and used in accordance with the instructions, may cause harmful interference to radio communications.

However, there is no guarantee that interference will not occur in a particular installation. If this equipment does cause harmful interference to radio or television reception, which can be determined by turning the equipment off and on, the user is encouraged to try to correct the interference by one or more of the following measures:

- Reorient or relocate the receiving antenna.
- Increase the separation between the equipment and receiver.
- Connect the equipment into an outlet on a circuit different from that to which the receiver is connected.
- Consult the dealer or an experienced radio/TV technician for help.

The user is cautioned that changes and modifications made to the equipment without the approval of manufacture could void the user's authority to operate this equipment.

⚠ WARNING

Keep the remote control transmitter away from children and pets.

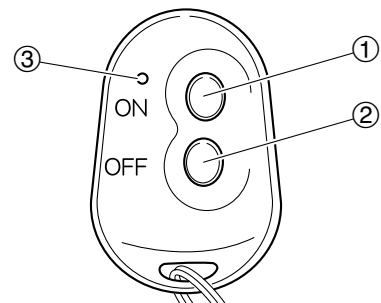
CAUTION:

- Do not give the remote control transmitter any physical impact. Take care not to drop.
- Do not place the heavy objects on the remote control transmitter.
- Do not leave the remote control transmitter in hot places or in direct sunlight.
- Do not wet the remote control transmitter or place it on any wet object.
- Do not modify the remote control transmitter.

Control functions

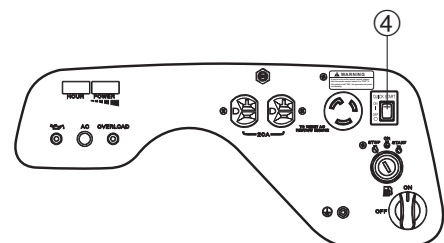
<Remote control transmitter>

- "ON" button ① This button starts the generator by pushing twice in a row.
- "OFF" button ② This button stops the generator.
- Indicator lamp ③ This lamp lights in a short time when you press the "ON" button or "OFF" button. Also, it lights for approximately 1 second when the start and stop buttons are operated correctly.



<Generator>

- Remote control switch ④ Turn this switch to "ON" when you operate the generator using the remote control.



⚠ WARNING

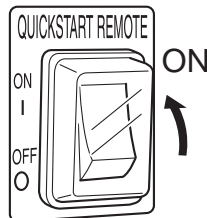
If you do not use the remote control, always turn the remote control switch ④ to "OFF". If this switch is left "ON", the generator may start accidentally.

NOTE:

When both the engine switch of generator and the remote control switch ④ are in "ON" position, the generator becomes ready to receive signals from the remote control transmitter and you can operate the generator by remote control.

Preparing the remote control of generator

1. Turn the fuel cock knob to "ON".
2. Turn the engine switch to "ⓐ" (ON).
3. Turn the remote control switch to "ON".



4. Connect any electric devices to the generator.

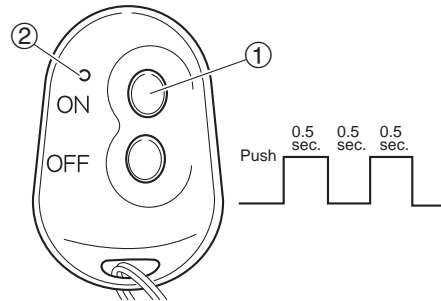
CAUTION:

- Be sure all electric devices including the lines and plug connections are in good condition before connection to the generator.
- Be sure any electric devices are turned off before plugging it in.
- Be sure the total load is within generator rated output.
- Be sure the receptacle load current is within receptacle rated current.

Starting the generator by remote control

Push "ON" button ① of remote control transmitter twice at the 0.5 second-interval.

When this operation is correct, indicator lamp ② of the remote control transmitter lights for approximately 1 second. And, the startup signal is sent to the generator.



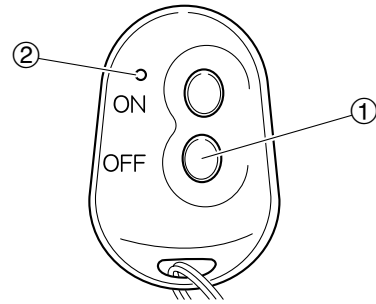
NOTE:

- To prevent an unintentional startup of generator, this model is designed to require to push the "ON" button twice in a row when starting the generator.
- When the button is pushed correctly, the indicator lights for approximately 1 second. However, the lighting up of the indicator lamp does not mean the generator has started.
- When the generator receives a startup signal, the starter motor of the generator is rotated. If the engine of the generator fails to start, the generator automatically retries to start two more times. If the generator did not start after retries, the motor can not be started by remote control. In this case, turn the engine switch of the generator to "OFF". After checking the generator to find out and solve the cause of start failure, turn the engine switch of generator to "ON" again and start the motor by remote control.

Stopping the generator by remote control

Push "OFF" button ① of the remote control transmitter for longer than 0.5 seconds.

When this operation is correct, indicator lamp ② of the remote control transmitter lights for approximately 1 second. And, the stop signal is sent to the generator.



⚠ WARNING

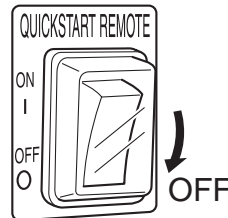
When you stopped the generator by remote control, make sure that the generator has stopped completely.

NOTE:

When the button is pushed correctly, the indicator lamp stays lit for approximately 1 second. However, the lighting up of the indicator lamp does not mean the generator has stopped.

Canceling the remote control of generator

1. Disconnect any electric devices.
2. Turn the remote control switch to "OFF".



⚠ WARNING

If you do not use the remote control, always turn the remote control switch to "OFF". If this switch is left "ON", the generator may start accidentally.

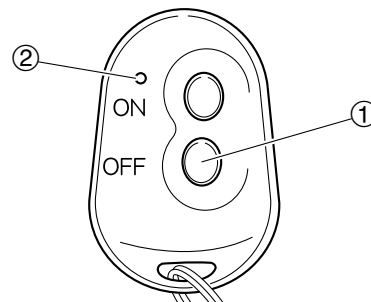
3. Turn the engine switch to "⊘" (STOP).
4. Turn the fuel cock knob to "OFF".

Checking the voltage level of dry cell batteries

When the generator is stopped, hold down "OFF" button ① of the remote control transmitter for longer than 0.5 seconds. Indicator lamp ② lights up twice.

If the indicator lamp is dark when lighting or if the lamp does not light up, replace the dry cell batteries.

Also, if the remote control does not respond sharply or if it does not respond at all, replace its dry cell batteries.

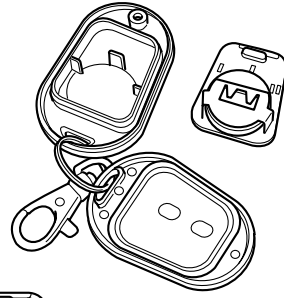


How to replace dry cell batteries

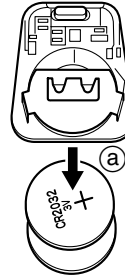
⚠ WARNING

- Use only the specified dry cell batteries with this remote control transmitter. Also, do not mix new and old dry cell batteries. This could cause dry cell battery cracking or leakage, which could result in fire or personal injury.
- When loading the dry cell battery, make sure the plus and minus terminals are correctly oriented. Incorrect orientation could cause dry cell battery cracking or leakage, which could result in personal injury or pollution of the surrounding environment.
- When you dispose the dry cell battery, you should obey the law in the relative area or country.
- Keep the dry cell battery away from children and pets.

1. Remove the screws from remote control transmitter, and disassemble it.

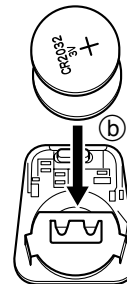


2. Take out the dry cell batteries in the direction of (a).



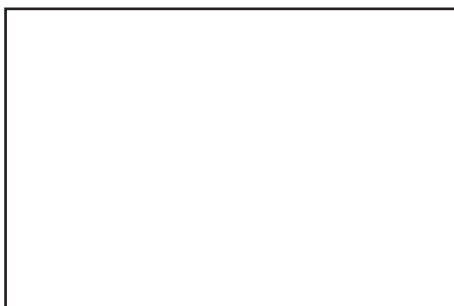
3. Insert new dry cell batteries from the direction of (b).

Specified dry cell battery : CR2032 (3.0 V) button cell battery
Quantity : 2

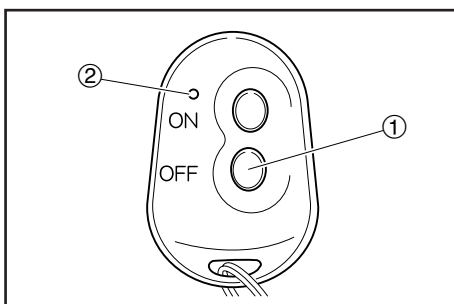


Transmit ID to the receiver unit

For the user who purchased only the remote control transmitter, need to transmit ID to the receiver after "Installing procedure" page 4.



1. Remove the front panel and pull out the control panel .
(See "Installing procedure" page 2.)
2. Disconnect the short harness coupler.



3. Turn the engine switch to "ON".
4. Push "OFF" button ① of the remote control transmitter for longer than 0.5 seconds within 10 seconds. When this operation is correct, indicator lamp ② of the remote control transmitter lights for approximately 1 second. And, the startup signal is sent to the generator.

5. Turn the engine switch to "STOP".
6. Reconnect the short harness coupler as it was.
7. Check the operation of remote control. (See "How to use the remote control" page 4.)

NOTE: _____

If the remote control does not operate normally, turn the engine switch to "STOP" and repeat procedure from 2 to 7.

8. Reassemble the control panel and front panel correctly. (See "Installing procedure" page 2.)

TROUBLESHOOTING

● The generator does not start by remote control. (But the generator can be started by turning the engine switch to "START".)

- The operation of "ON" button of remote control transmitter is incorrect.
→ Push the "ON" button twice at the 0.5-second interval. (See "Starting the generator by remote control" page 6.)
- The remote control switch of the generator is in "OFF" position.
→ Turn the remote control switch of the generator to "ON" position. (See "Preparing the remote control of generator" page 6.)
- The dry cell batteries of remote control transmitter have discharged.
→ Replace the dry cell batteries. (See "How to replace dry cell batteries" page 7.)
- The radio waves do not reach the generator.
→ Move to another location and try the remote control.

● The remote control transmitter is lost.

Please consult a Yamaha dealer.

